

TRAY SEALING THOUGHT & DESIGNED FOR YOU

by **MECAPACK**

TRAYSEALER S2000 AUTOMATIC



TOOLING COMPATIBILITY



TO S1000



- + SIMPLICITY
- + RELIABILITY
- + COMPATIBILITY



S2000

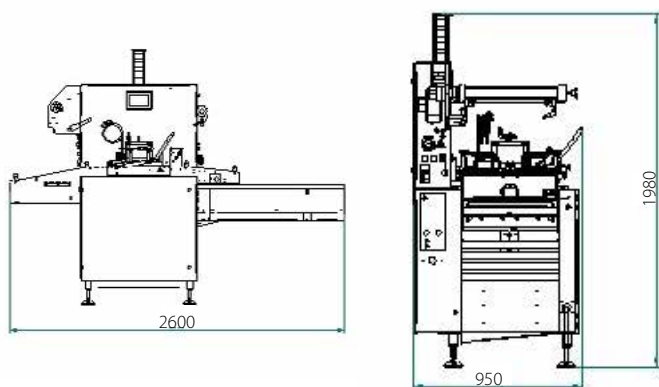
The tray sealer for all your productions

HIGHLIGHT :

- Automatic traysealer with pushers traysealer
- Simple and reliable machine
- Quick tool change (10min)
- Tool compatibility with semi automatic on station tray sealer S1000
- Sealing power 3T
- Pneumatocal sealing station with mechanical locking by rod

20 years
of experience
more than 1000
S2000 around
the world

DIMENSION :



ENERGY:

Elec. : 6 at 15 KW

Pneu : 15m³/h at 6 bars

Water : 100L/h (integrated cooling unit in option)

PROCESS :

Sealing | Vacuum and gas | Skin | ...

SPEED :

Up to : 12 cpm

OPTION :

Integrated cooling unit | Spotted printed film | Loading conveyor extension | Tray automatic and integrated denester | Integrated printing solution | Automatic filling solution | Integrated tray inliner | Top lid system | ...

INDICATIVE TRAY DIMENSION :

| Pocket number | 1 | 2 | 3 | 4 |
|---------------|-----|-----|-----|-----|
| Lenght (mm) | 420 | 305 | 305 | 305 |
| Width (mm) | 305 | 200 | 125 | 90 |
| Hight (mm)* | 90 | 100 | 100 | 100 |

*150 in option

SECTORS :



This document and its content have non-contractual values