

# THERMOFORMING THOUGHT & DESIGNED FOR YOU

by MECAPACK

## THERMOFORMER FS930

★  
MECAPACK  
PATENT  
★



ERGONOMICS PACK



+ ROBUST

+ MODULAR

+ PRODUCTION LINE

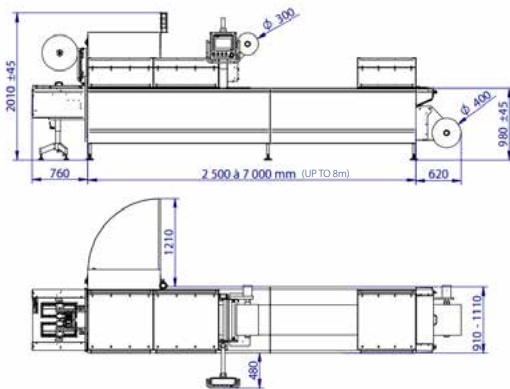
# FS 930

A packaging line adapted to all your productions

## HIGHLIGHT :

- Personalized machine
- Multi-process compatibility
- Capacity: film width up to 625mm / film advance up to 600mm
- Packaging configuration for flexible and rigid film up to 800µ
- Multi advance machine compatibility
- Ergonomic design with openable and manually locked top tool
- Independent lifting station
- Pneumatical or servodrived station with mechanical locking by rods
- Automatic forming depth adjustment

## DIMENSION :



## MACHINE CONFIGURATION :

Forming station with blowing flexible forming process | Forming station with independent preheating station, forming process with mechanical assistance | Sealing with ergonomic solution for configuration exchange | Transversal cutting station : flexible film / crushing type / punching type | Shape cutting station : flexible or rigid type | Motorized longitudinal station with easy shaft exchange (manually without tool and adjustment)

## ENERGY :

**Elec. :** 15 at 30 KW

**Pneu :** 3m<sup>3</sup>/h at 6 bars

**Water :** 100L/h (integrated cooling unit in option)

## PROCESS :

Skin | Sealing | Vacuum | Vacuum and gas

## SPEED :

**Up to :** 17 cpm

## OPTION :

Station on rack for multi advance step compatibility | Multiprocess compatibility | Manual locking top tool | Sealing plate automatic locking system for easy exchange without tool | Open ergonomic loading area | Cooling unit | Spotted printed film | Integrated printing solution | Integrated labelling solution | Automatic filling solution | Integrated tray inliner

## SECTORS :



## ERGONOMICS PACK

It makes possible to carry out a complete change of format in a small time without tools