

# THERMOFORMING THOUGHT & DESIGNED FOR YOU

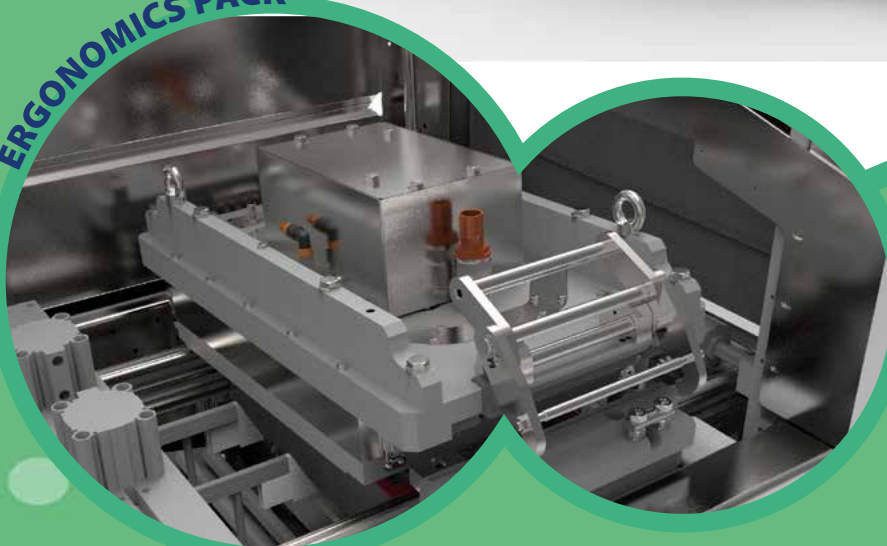
by MECAPACK

## THERMOFORMER FS910



★  
**MECAPACK  
PATENT**  
★

### ERGONOMICS PACK



- + RELIABLE
- + COMPATIBLE
- + CUSTOMIZABLE

# FS 910

## Thermoforming machine for flexible packaging configuration

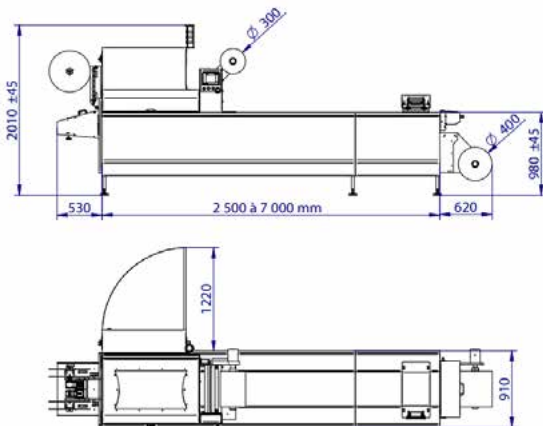
### HIGHLIGHT :

- Compact, simple and reliable machine
- Personalised machine : film width up to 425mm / film advance up to 400mm
- Flexible packaging configuration up to 350µ
- Multi advance machine compatibility
- Ergonomic design with openable and manually locked top tool
- Independent lifting station
- Pneumatical station with mechanical locking by rods
- Longitudinal motorised cutting station with easy manual shaft exchange

### ERGONOMICS PACK

It makes possible to carry out a complete change of format in a small time without tools

### DIMENSION (machine length up to 8m) :



### MACHINE CONFIGURATION :

Forming station with blowing flexible forming process  
 Sealing with ergonomic solution for configuration exchange  
 Flexible transversal cutting station  
 Motorized longitudinal station with easy shaft exchange (manually without tool and adjustment)

### ENERGY :

**Elec. :** 15 at 30 KW

**Pneu :** 3m<sup>3</sup>/h at 6 bars

**Water :** 100L/h (integrated cooling unit in option)

### PROCESS :

Sealing | Vacuum

### SPEED :

**Up to :** 10 cpm

### OPTION :

Station on rack for multi advance step compatibility | Vacuum process compatibility | Manual locking top tool | Sealing plate automatic locking system for easy | Exchange without tool | Cooling unit | Spotted printed film | Integrated printing solution | Automatic filling solution | Integrated tray inliner

### SECTORS :

